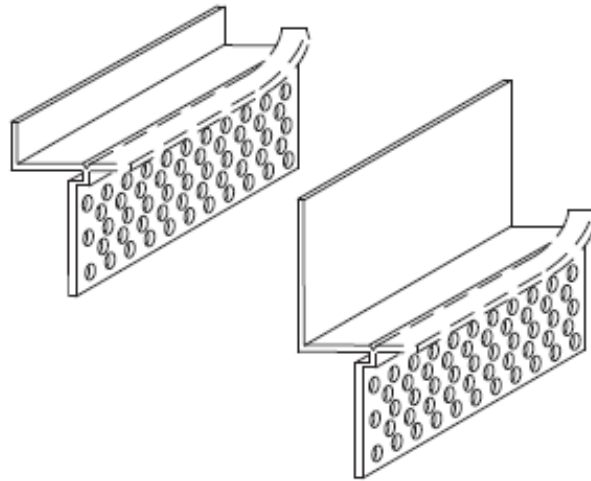
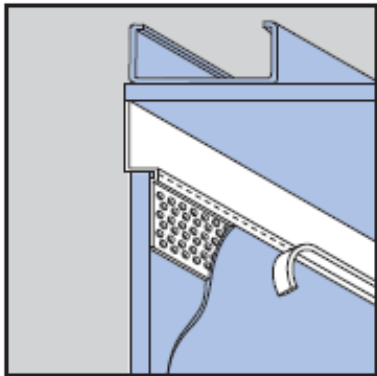


Shadow Reveals

(Surface Application with 3/8" Removable Leg)



PRODUCT NUMBER	BOARD THICKNESS	REVEAL	DIMENSIONS	PIECES PER BOX
CTR50-19	1/2" or 5/8"	3/16"	1-1/8" perforated flange, 3/8" removable leg	50
CTR50-38	1/2" or 5/8"	3/8"		50
CTR50-50	1/2" or 5/8"	1/2"		50
CTR50-58	1/2" or 5/8"	5/8"		50
CTR50-75	1/2" or 5/8"	3/4"		50
CTR50-100	1/2" or 5/8"	1"		50

Shadows reveals (Surface Application) – Create 3/16" to 1" reveals in drywall & veneer surfaces. Designed to cover raw edges of wallboard. Perforated flange accepts joint compound or veneer plaster for a flush finish.